



BALLSUM

Turn burden into blessing

BALLSUM™ 伯神

Mold Counter

For Guaranteed Quality monitoring times of mold closed.

For Limited Quantity preventing manufacturing disputes.

Patents

30 years experience. Taiwan & China patented.

Warranty

2 million times guaranteed.

Working Temperature

120°C(250°F) and 160°C(320°F) are alternative.

Mechanical Structure

Needs no batteries. Highly durability.

Sensitivity

1.5mm~2.0mm effective distance.

Non-resettable

Reliable, prevent dispute.

7-digits

Satisfy your all need.



Taiwan, China
Patent



120°C(250°F)
160°C(320°F)



Mechanical
Structure



Warranty



Effective
Distance



Made
In Taiwan





BALLSUM™ 伯神

Mold Counter

伯神

When a precision mold needs to be “Quality guaranteed”, number of times is defined in service contract and a BALLSUM mold counter must be installed.

When a brand product needs to be “Quantity limited”, a BALLSUM mold counter is a reliable choice for you to prevent unnecessary manufacturing disputes.

Patents

Not a pirated product of any other brands.

Patented in Taiwan, Mainland China.

And others are pending.

Warranty

Offer a 2 million times warranty.

(Replace a new product if not able to reach 2000,000)

Working Temperature

2 kinds of working temperature, 120°C(250°F) and 160°C(320°F) are alternatives.

Mechanical Structure

Needs no batteries. All nylon part are glass fibers reinforced.

All metal part are made of stainless material.

(Friction-resistant and rugged durability)

Sensitivity

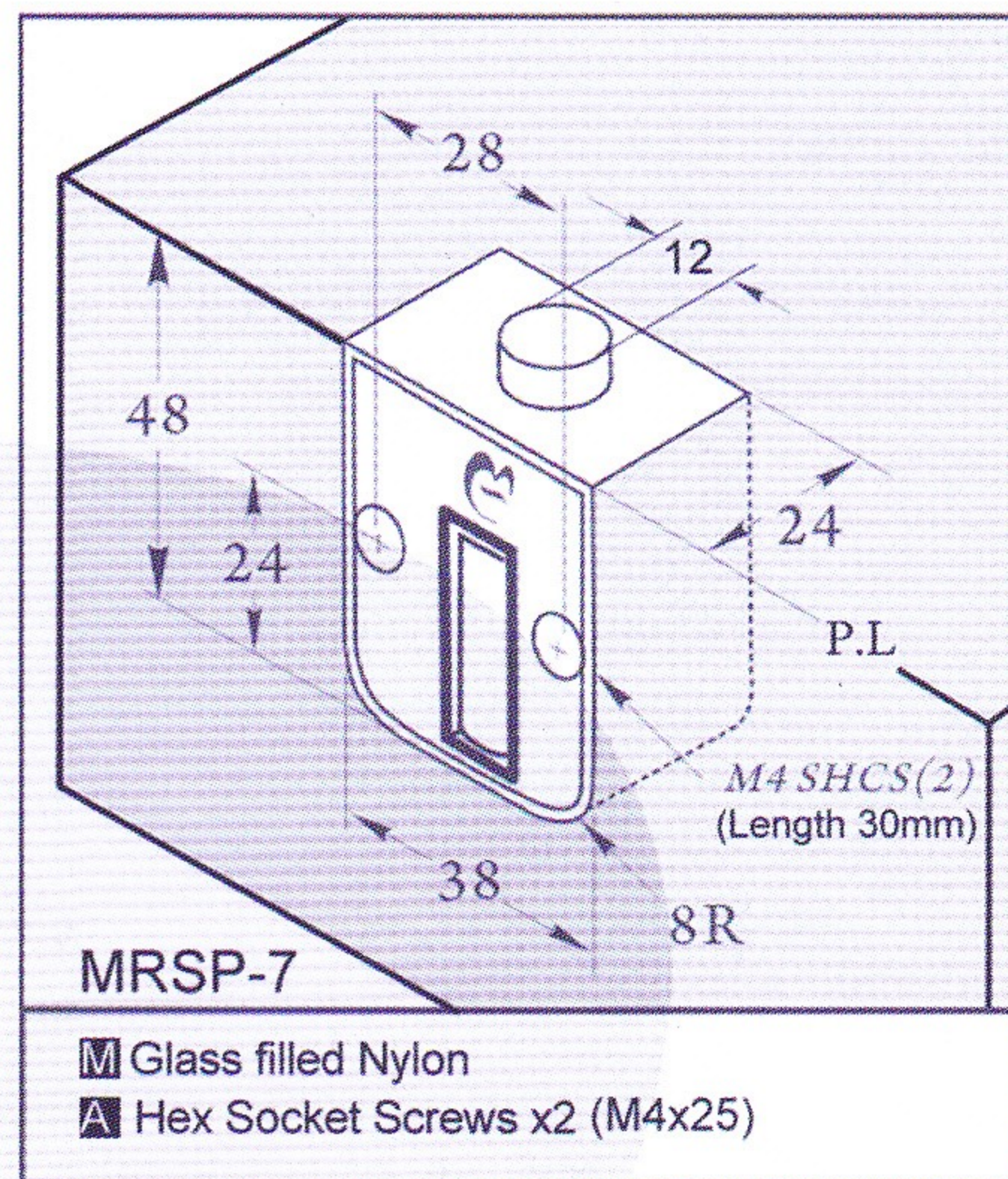
1.5mm - 2.0mm effective distance to guarantee counting correctly in different kind of molds.

Non-resettable

Non-resettable design guarantees a reliable mold history record.

7-digits

Each mold cycle triggers and increases the count from 0000000 to 9999999.



Taiwan.# M381961
China.# 201020148872.X
others Pending

Installation Guide

Compare with other mold counters

ITEM	Ballsum Mold Counter	C Brand in USA	Other Brands In China
Patent	Taiwan, China	US, Canada,	None Tort Apprehension
Place of origin	Taiwan	Unknown	China
Warranty	2 Million Times	Unknown	None
Max Working Condition	MRSP-7 120°C (250°F) MRSP2-7 160°C (320°F)	120°C (250°F)	120°C (250°F) *Thermal Test Failed(Deformed)
Quality Control	100% Inspection During Producing	ISO 9001:2000	Unstable *Life Test Failed Some cannot reach 30000 times
Others	1.5-2.0mm Effective Distance	Website Mold Info Query System	None