



SUNNY SCORE SDN BHD

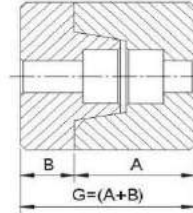
NO. 774, JALAN TOK KANGAR, JURU, 14100 SIMPANG AMPAT, PULAU PINANG, MALAYSIA.

Tel: 604-508 0166 Fax: 604-508 0266

Email: sunnyscoresb@gmail.com

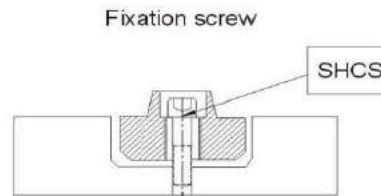
Website: www.sunnyscore.com / www.sunnyscore.com.my

TAPER BLOCK SETS - TBL

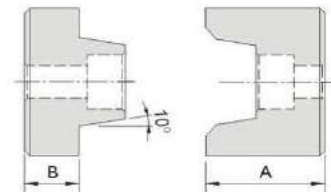
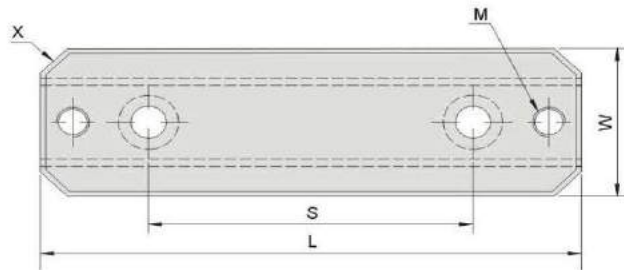
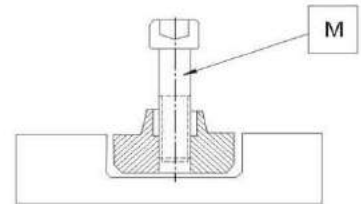


材質 相當于YK30
 硬度 Male HRC50°~55°
 Female HRC55°~60°

使用例 Diagram



Extraction screw



公制: mm

ORDER CODE	W +0 -0.01	L +0 -0.1	A +0 -0.05	B +0 -0.05	G +0.03 -0	S	X	M	SHCS
TBL50	25	50	17.5	8	25.5	-	5	M5	M5
TBL100	30	100	22	10	32	60	5	M6	M6
TBL150	40	150	25	13	38	100	5	M8	M8

英制: inch

ORDER CODE	W +0 -0.004	L +0 -0.004	A +0 -0.0004	B +0 -0.0004	G +0.0012 -0	S	X	M	SHCS
TBL2.0	0.999	1.980	.690	.312	1.002	-	.20	3/16-24	3/16-24
TBL4.0	1.249	3.980	.870	.375	1.245	2.50	.20	1/4-20	1/4-20
TBL6.0	1.499	5.980	1.000	.500	1.500	4.00	.20	5/16-18	5/16-18

Order:- TBL-50 - QTY



SUNNY SCORE SDN BHD

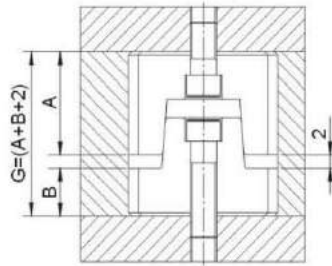
NO. 774, JALAN TOK KANGAR, JURU, 14100 SIMPANG AMPAT, PULAU PINANG, MALAYSIA.

Tel: 604-508 0166 Fax: 604-508 0266

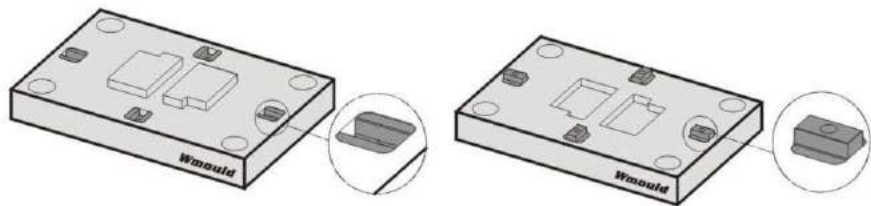
Email: sunnyscoresb@gmail.com

Website: www.sunnyscore.com / www.sunnyscore.com.my

TAPER BLOCK SETS - TBS

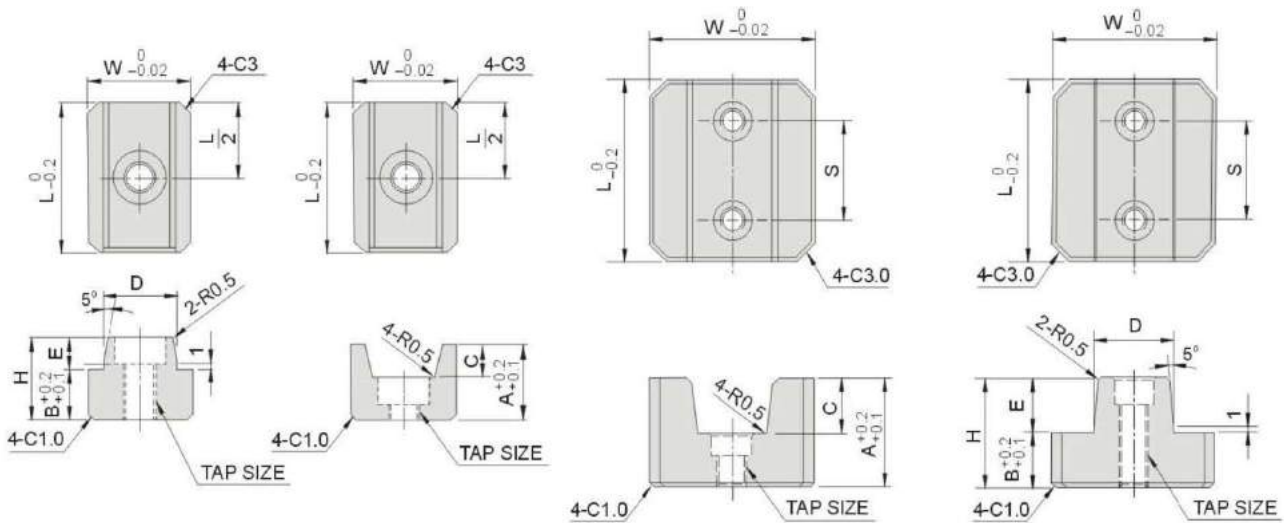


材質 YK30
 硬度 HRC56°~60°



上模

下模



公制: mm

ORDER CODE	W	L	A	B	C	D	E	G	H	S	TAP SIZE	SHCS
TBS2525	25	25	17	9	8	15	8	28	17	15	M5	M4
TBS2530		30										
TBS2540		40										
TBS3540	35	40	22	11	10	20	10	35	21	20	M8	M6
TBS3550		50										
TBS4550	45	50	29	14	15	25	15	45	29	30	M8	M6

Order :- TBS2530 - QTY



SUNNY SCORE SDN BHD

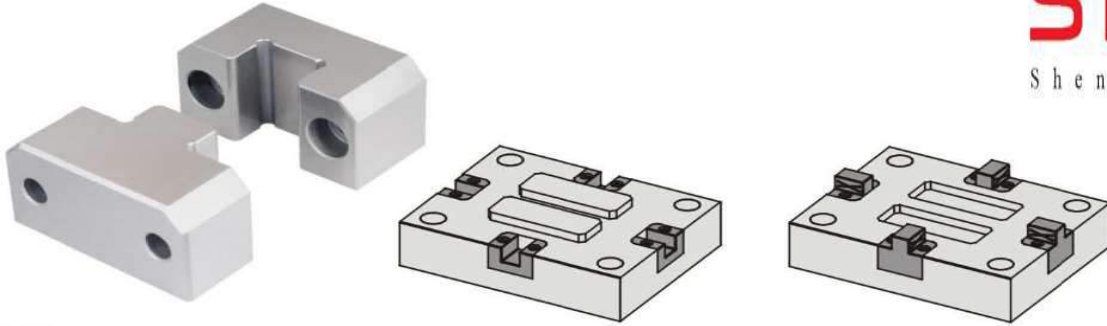
NO. 774, JALAN TOK KANGAR, JURU, 14100 SIMPANG AMPAT, PULAU PINANG, MALAYSIA.

Tel: 604-508 0166 Fax: 604-508 0266

Email: sunnyscoresb@gmail.com

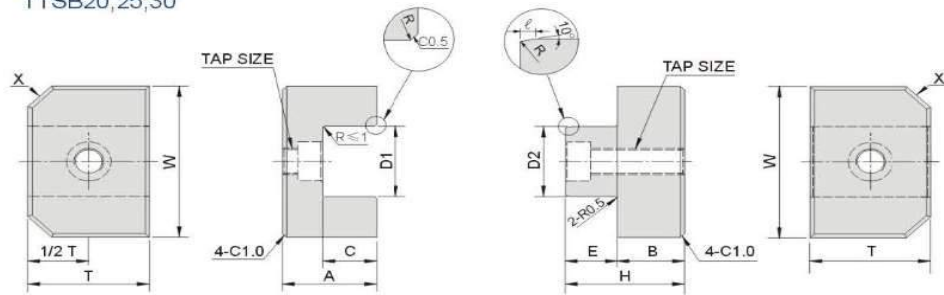
Website: www.sunnyscore.com / www.sunnyscore.com.my

LOCATING BLOCK SETS - TSSB

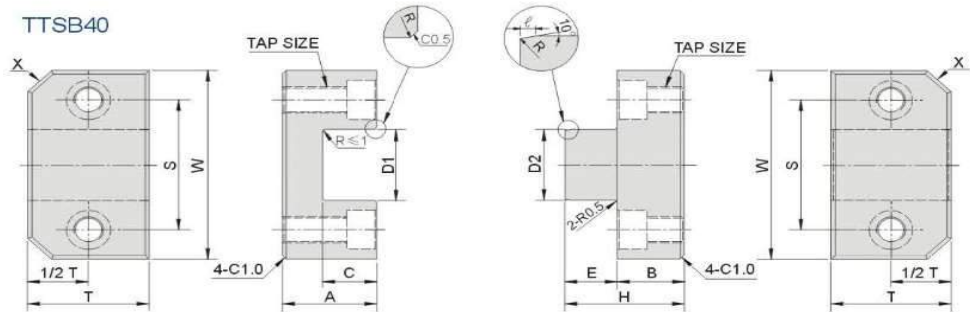


材質 YK30
 硬度 HRC56°-60°

TTSB20,25,30



TTSB40



公制: mm

ORDER CODE	W +0 -0.005	C +0.5 -0	T +0 -0.03	A +0.2 +0.1	B +0.2 +0.1	D1 +0.010 +0.005	D2 +0 -0.005	E +0 -0.2	H	<i>l</i>	S	X	TAP SIZE	SHCS
TSSB2006	20	6	12	14	8	10	10	6	14	0.5		4	M4	M3
TSSB2508	25	8	15	17	10	12	12	8	18	1		4	M5	M4
TSSB3008	30	8	15	17	10	12	12	8	18	1		6	M5	M4
TSSB4010	40	10	20	19	12	15	15	10	22	1	28	6	M5	M4
TSSB4015	40	15	20	25	17	15	15	15	32	2	28	6	M5	M4

Order :- TSSB 4010 - QTY



SUNNY SCORE SDN BHD

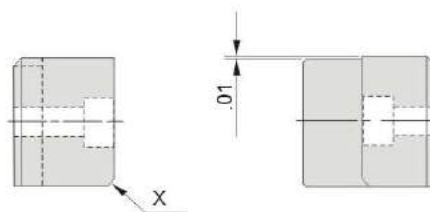
NO. 774, JALAN TOK KANGAR, JURU, 14100 SIMPANG AMPAT, PULAU PINANG, MALAYSIA.

Tel: 604-508 0166 Fax: 604-508 0266

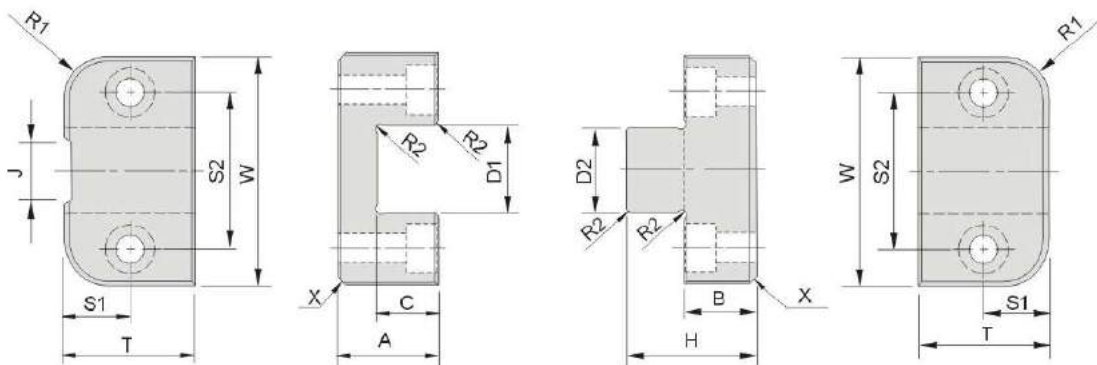
Email: sunnyscoresb@gmail.com

Website: www.sunnyscore.com / www.sunnyscore.com.my

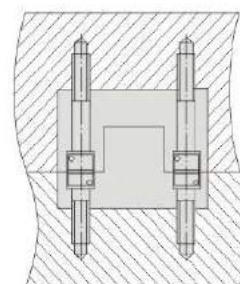
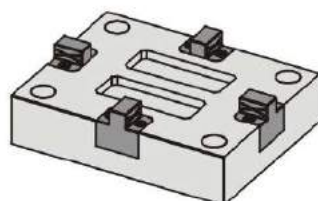
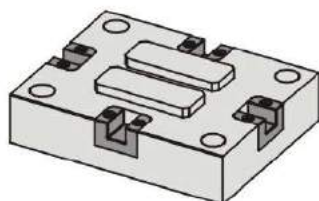
LOCATING BLOCK SETS - GLK



公件/Male
 材質 YK30
 硬度 HRC50°-55°
 母件/Female
 材質 YK30
 硬度 HRC55°-60°



使用例 Diagram



英制: inch

ORDER CODE	w +0 -0004	T	A	B	C	D1 +.0004 +.0002	D2 +0 -.0002	H	J	R1	R2	S1	S2	X	SHCS
GLK15	1.50	1.000	.875	.375	.500	.500	.500	.843	3/8X1/16	.28	.06	.5000	1.000	.04	#10-32
GLK20	2.00	1.125	.875	.625	.500	.750	.750	1.110	1/2X1/16	.40	.06	.5625	1.375	.04	1/4-20
GLK25	2.50	1.500	1.375	.625	.750	1.000	1.000	1.344	1/2X1/16	.40	.08	.7500	1.750	.04	1/4-20
GLK30	3.00	1.750	1.250	.875	.750	1.125	1.125	1.610	3/4X3/32	.53	.09	.8750	2.250	.06	5/16-18
GLK35	3.50	2.000	1.750	.750	1.000	1.500	1.500	1.718	3/4X3/32	.53	.09	1.0000	2.500	.06	3/8-16

Order :- GLK 20 - QTY



SUNNY SCORE SDN BHD

NO. 774, JALAN TOK KANGAR, JURU, 14100 SIMPANG AMPAT, PULAU PINANG, MALAYSIA.

Tel: 604-508 0166 Fax: 604-508 0266

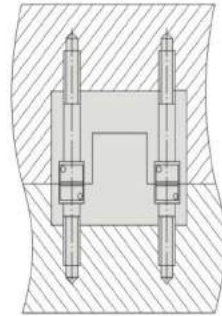
Email: sunnyscoresb@gmail.com

Website: www.sunnyscore.com / www.sunnyscore.com.my

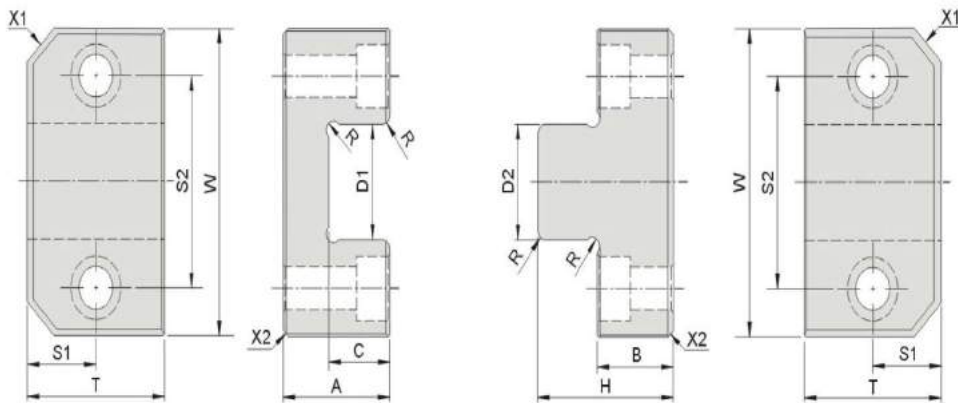
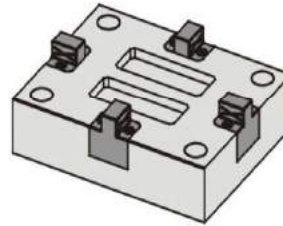
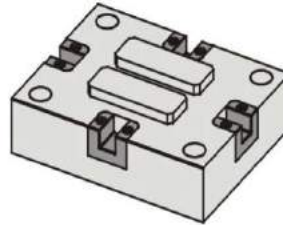
LOCATING BLOCK SETS - GLKM



使用例 Diagram



- 公件/Male
- 材質 YK30
- 硬度 HRC50°-55°
- 母件/Female
- 材質 YK30
- 硬度 HRC55°-60°



ORDER CODE	W +0 -0.01	T	A	B	C	D1 +0.010 +0.005	D2 +0 -0.005	H	R	S1	S2	X1	X2	SHCS
GLKM40	40	22	20	15	10.5	15	15	25	1.5	11	28	5	1	M5
GLKM50	50	25	25	20	10.5	17	17	30	1.5	12.5	34	5	1	M6
GLKM60	60	35	30	20	15.5	25	25	35	2	17.5	42	8	1	M6
GLKM75	75	50	30	25	15.5	30	30	40	2	25	52	8	1.5	M8

Order :- GLKM 50 - QTY



SUNNY SCORE SDN BHD

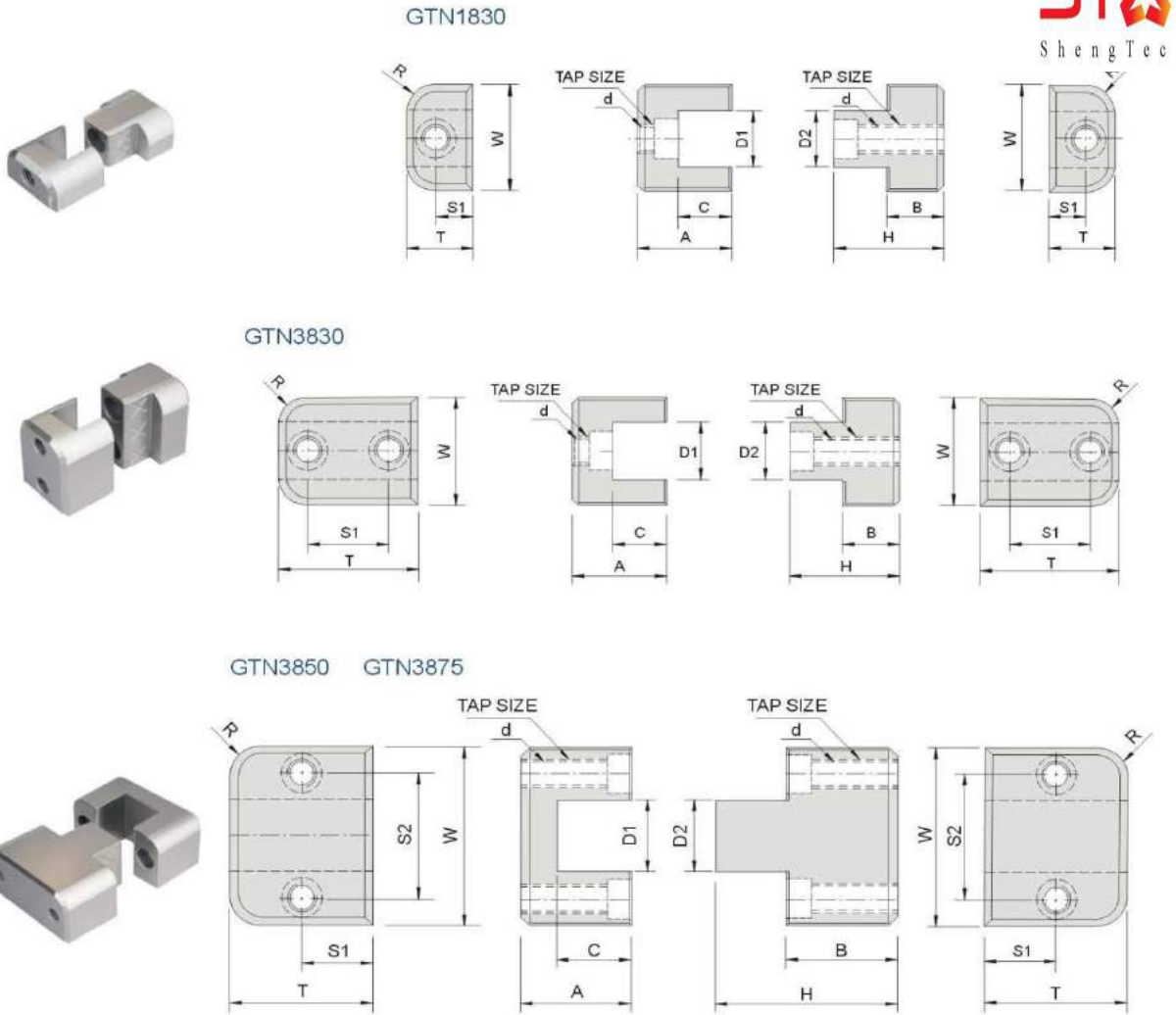
NO. 774, JALAN TOK KANGAR, JURU, 14100 SIMPANG AMPAT, PULAU PINANG, MALAYSIA.

Tel: 604-508 0166 Fax: 604-508 0266

Email: sunnyscoresb@gmail.com

Website: www.sunnyscore.com / www.sunnyscore.com.my

LOCATING BLOCK SETS - TN



材質 YK30
 硬度 HRC53°~60°

公制: mm

ORDER CODE	W '+0.007 +0.002	T ±0.1	A ±0.1	B ±0.1	C ±0.1	D1 '+0.01 0 +0.005	D2 '+0 -0.005	H ±0.1	R	S2	S1	d	TAP SIZE	SHCS
TN1830	30	18	26	15.5	14.8	16	16	30	9	-	10	7	M8	M6
TN3830	30	38	26	15.5	14.8	16	16	30		-	22	7	M8	M6
TN3850	50	38	29.8	29.8	20	20	20	48.8		35	19	7	M8	M6
TN3875	75	38	39.8	39.8	25	30	30	63.8		52	19	8.6	M10	M8

ORDER :- TN 3830 - QTY



SUNNY SCORE SDN BHD

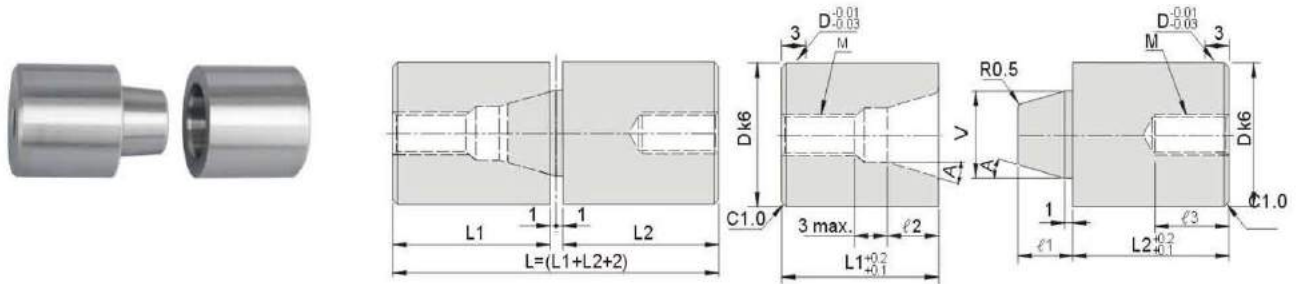
NO, 774, JALAN TOK KANGAR, JURU, 14100 SIMPANG AMPAT, PULAU PINANG, MALAYSIA.

Tel: 604-508 0166 Fax: 604-508 0266

Email: sunnyscoresb@gmail.com

Website: www.sunnyscore.com / www.sunnyscore.com.my

TAPER INTERLOCK - ROUND - TPNV



M 材質 SUJ2

H 硬度 HRC58°~62°

公制: mm

ORDER CODE	D k6	A	V	L	L1	L2	ℓ 1	ℓ 2	ℓ 3	M
TPNV	13	5°	8.5	30	14	14	6	5	10	M4
	16		10	30	14	14	6	5	10	M5
	20		13	40	19	19	9	8	12	M6
	25		16	50	24	24	12	11	16	M8
	30		20	60	29	29	15	14	20	M10
	32		20	60	29	29	15	14	20	M10
	35		24	70	34	34	18	17	24	M12
	42		30	80	39	39	24	23	24	M12

Order :- TPNV- D - QTY



SUNNY SCORE SDN BHD

NO. 774, JALAN TOK KANGAR, JURU, 14100 SIMPANG AMPAT, PULAU PINANG, MALAYSIA.

Tel: 604-508 0166 Fax: 604-508 0266

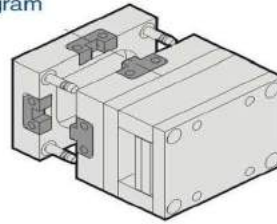
Email: sunnyscoresb@gmail.com

Website: www.sunnyscore.com / www.sunnyscore.com.my

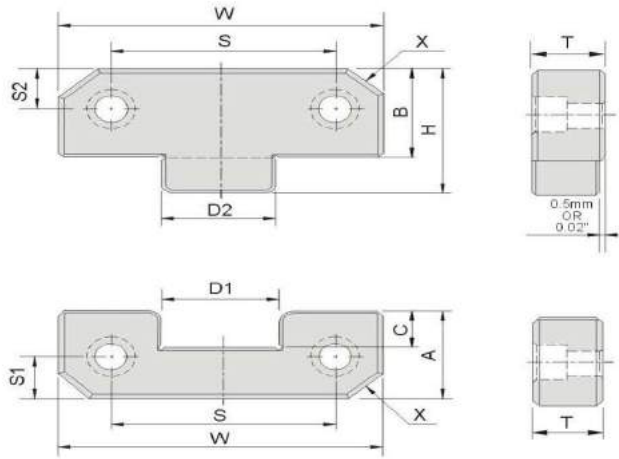
STARIGHT SIZE INTERLOCK - GPL



使用例 Diagram



材質 相當于YK30
 硬度 Male HRC50°~55°
 Female HRC55°~60°



公制: mm

ORDER CODE	w +0 -0.01	T	A	B	C	D1 +0.010 +0.005	D2 +0 -0.005	H	S	S1	S2	X	SHCS
PL38	38	13	22	22	8.5	12	12	30	22	7	7	5	M6
PL50	50	16	21.5	21.5	9.5	17	17	30	34	11	11	5	M6
PL75	75	19	36	36	15	25	25	50	50	18	18	8	M10
PL100	100	19	45	45	21	35	35	65	70	22	22	10	M10
PL125	125	25	45	45	21	45	45	65	84	22	22	10	M10

英制: inch

ORDER CODE	w +0 -0.0004	T	A	B	C	D1 +0.0004 +0.0002	D2 +0 -0.0002	H	S	S1	S2	X	SHCS
PL1.5	1.500	.620	.87	.87	.33	.500	.500	1.180	.938	.281	.437	.19	1/4-20
PL2.0	2.000	.620	.87	.87	.33	.680	.680	1.180	1.250	.375	.437	.19	1/4-20
PL3.0	3.000	.745	1.37	1.36	.57	1.000	1.000	1.910	2.250	.688	.680	.38	3/8-16
PL4.0	4.000	.745	1.87	1.87	.79	1.375	1.375	2.640	2.750	.875	.875	.50	3/8-16
PL5.0	5.000	1.120	1.87	1.87	.79	1.750	1.750	2.640	3.500	.875	.875	.50	1/2-13

Order :- GPL-50 - QTY



SUNNY SCORE SDN BHD

NO. 774, JALAN TOK KANGAR, JURU, 14100 SIMPANG AMPAT, PULAU PINANG, MALAYSIA.

Tel: 604-508 0166 Fax: 604-508 0266

Email: sunnyscoresb@gmail.com

Website: www.sunnyscore.com / www.sunnyscore.com.my

STRAIGHT BLOCK SETS - TBF

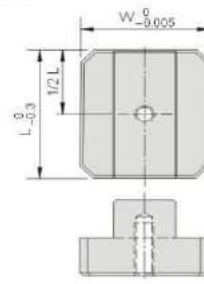
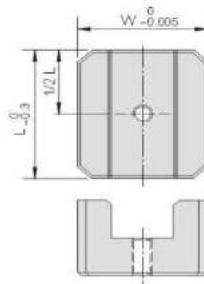
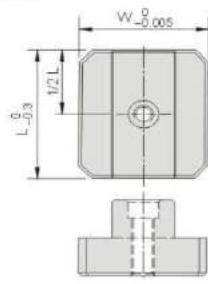
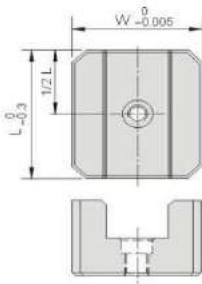


材質: YK30

硬度: HRC56°~60°

TBF2025
TBF2525

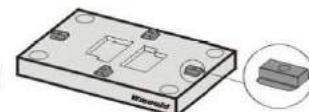
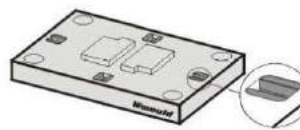
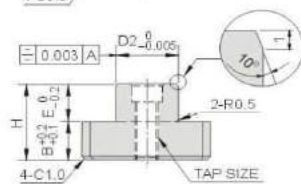
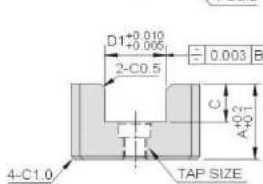
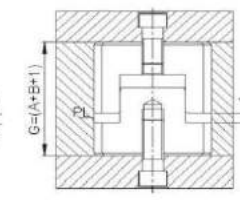
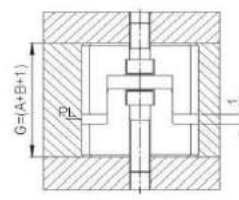
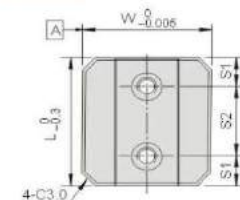
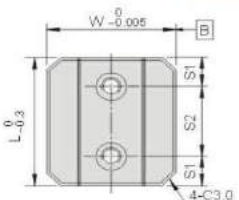
TBF1616
TBF1620



TBF2030, TBF2530
TBF3030, TBF3040

TBF20
TBF30

TBF16



公制: mm

ORDER CODE	W	L	A	B	C	D1	D2	E	G	H	S1	S2	TAP SIZE	SHCS
TBF1616	16	16	17	8	9	g	g	8	26	16	-	-	M4	M4
TBF1620		20									-	-		
TBF2025	20	25	17	8	9	12	12	8	26	16	-	-	M4	M3
TBF2030		30									7.5	15		
TBF2525	25	25	21	10	11	15	15	10	32	20	-	-	M5	M4
TBF2530		30									7.5	15		
TBF3030	30	30	23	12	13	17	17	12	36	24	7.5	15	M6	M5
TBF3040		40									10	20		

Order :- TBF 2030 - QTY



SUNNY SCORE SDN BHD

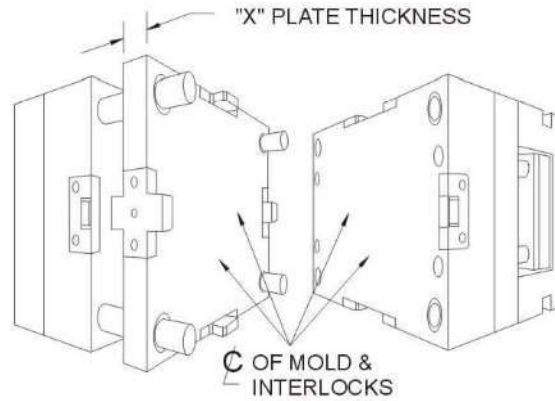
NO. 774, JALAN TOK KANGAR, JURU, 14100 SIMPANG AMPAT, PULAU PINANG, MALAYSIA.

Tel: 604-508 0166 Fax: 604-508 0266

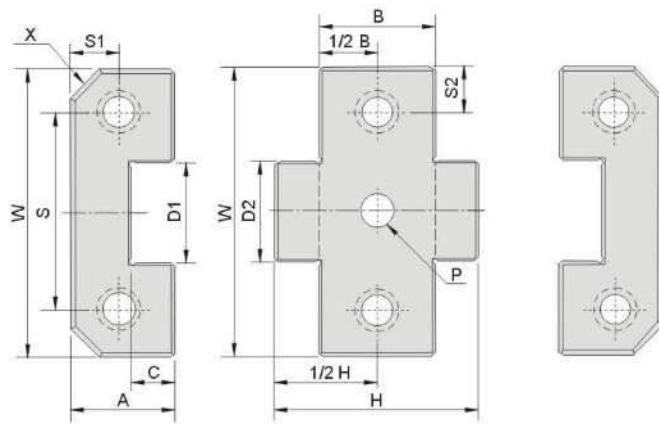
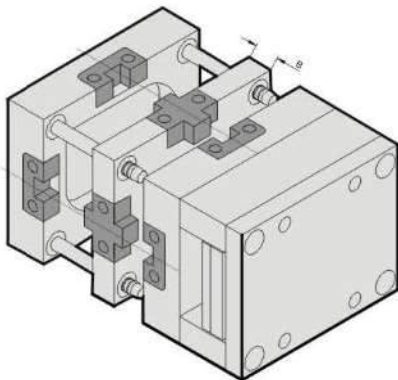
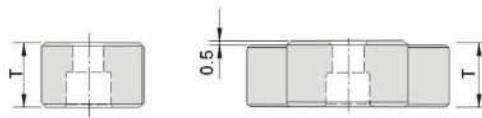
Email: sunnyscoresb@gmail.com

Website: www.sunnyscore.com / www.sunnyscore.com.my

X-STYLE STRAIGHT INTERLOCKS - XPL



M 材質 相當于YK30
H 硬度 Male HRC50°~55°
 Female HRC55°~60°



公制: mm

ORDER CODE	W +0 -0.01	B	T	A	C	D1 +0.010 +0.005	D2 +0 -0.005	H	P H7	S	S1	S2	X	SHCS
XPL5026	50	26	16	21.5	9.5	17	17	43	6	34	11	8	5	M6x20
XPL5036		36						53						
XPL7526	75	26	19	36	15	25	25	54	10	50	18	12.5	8	M10x22
XPL7536		36						64						
XPL10036	100	36	19	45	21	35	35	76	10	70	22	15	10	M10x25
XPL10046		46						86						
XPL12536	125	36	25	45	21	45	45	76	12	84	22	20.5	10	M10x30
XPL12546		46						86						

Order :- XPL 10036 - QTY